



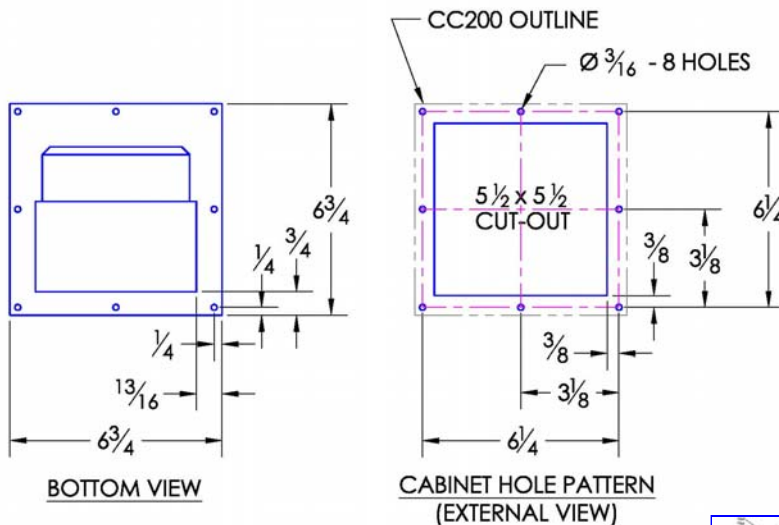
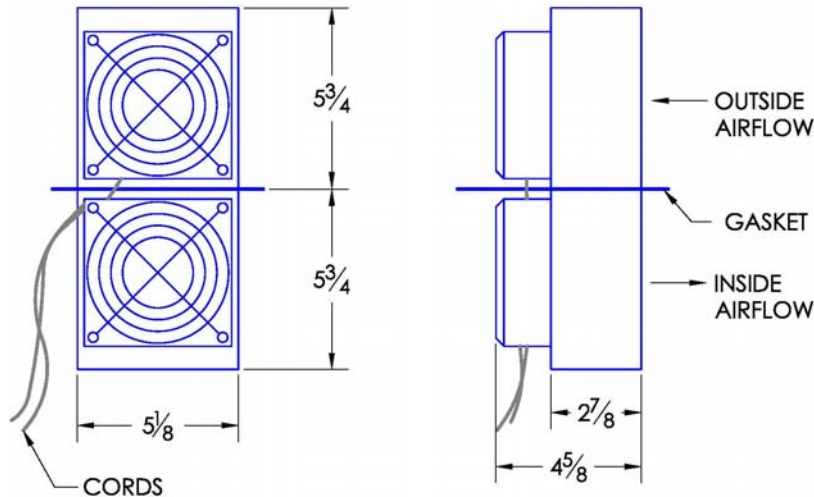
CC200 & CC200P* COMPACT CABINET COOLER AIR-TO-AIR DROP-IN MODEL

Model	Weight	Rating @ 20°C ΔT BTU / hr	Amps Current Draw at 115 volts AC	Fan Size	Dimensions-Inches (H x W x D)
CC200	6 lbs	1100	0.4	2 x 4"	11-1/2 x 5-1/8 x 4-5/8

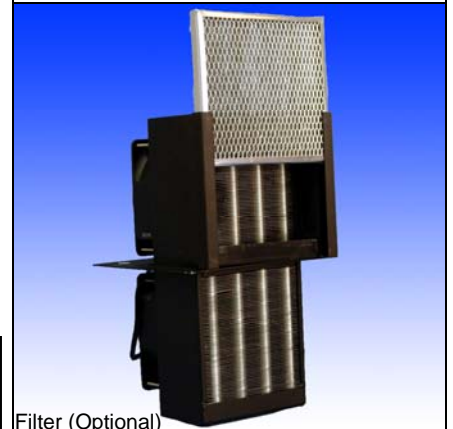
Efficiency : 16.5 Watts / °C ΔT based on average internal cabinet temperature.



Available upon request



[SEE HOW CABINET COOLERS WORK - CLICK HERE >>](#)



SPECIFICATIONS

1. RATED COOLING: 330 WATTS AT 20°C ΔT.
(16.5 W/°C, MOUNTED TO AN UNINSULATED 24" x 24" x 16" CABINET).
2. EXTENDS 5-3/4" INTO CABINET.
3. ALUMINUM HOUSING (COLOR IS BLACK) OR STAINLESS STEEL.
4. EQUIPPED WITH MOUNTING GASKET TO MAINTAIN AIR TIGHT SEAL.
- * 5. "P" UNIT IS PRESSURE TESTED TO ASSURE WATER TIGHT SEAL.
6. UL / cUL LISTED UNITS ALSO AVAILABLE UPON REQUEST (UL FILE # SA9567).
7. AVAILABLE WITH 115VAC, 230VAC, AND 12VDC, 24VDC, 48VDC FANS.
8. VERTICAL (BEST POSITION) AND HORIZONTAL INSTALLATION OK.
9. OPTIONAL FILTER KIT AVAILABLE.
10. FOR DESIGN, QUOTE, AND SIZING ASSISTANCE : CALL (866) 936 - 6736.

Noren Products, Inc.
1010 O'Brien Drive
Menlo Park, CA 94025
(650) 322 - 9500

CC200 & CC200P*

883305A

Subject to change without notice.