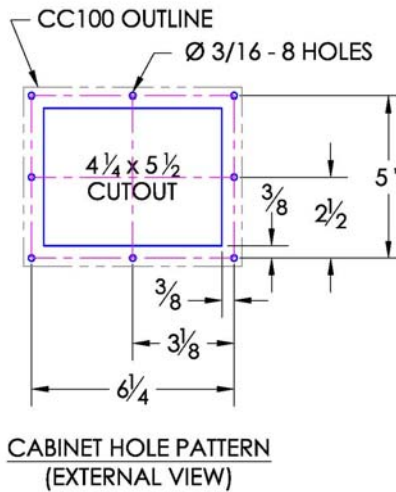
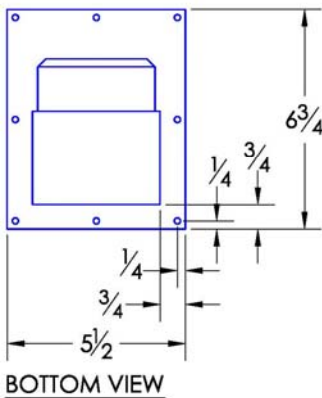
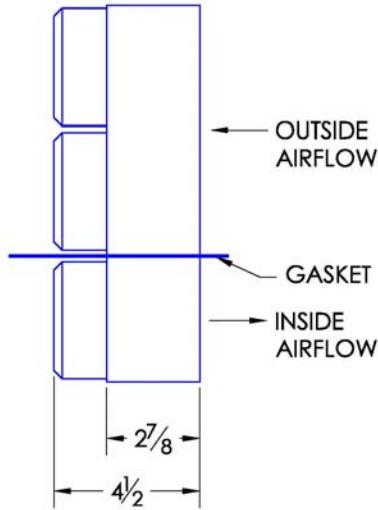
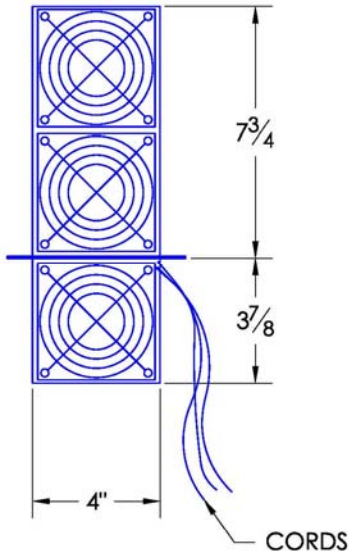




# CC100 & CC100P\* COMPACT CABINET COOLER AIR-TO-AIR DROP-IN MODEL

Model	Weight	Rating @ 20°C ΔT BTU / hr	Amps Current Draw at 115 volts AC	Fan Size	Dimensions-Inches (H x W x D)
CC100	6 lbs	500	0.4	3 x 3.6"	11-5/8 x 4 x 4-1/2

Efficiency : 7.2 Watts / °C ΔT based on average internal cabinet temperature.



[SEE HOW CABINET COOLERS WORK – CLICK HERE >>](#)



## SPECIFICATIONS

1. RATED COOLING: 144 WATTS AT 20°C ΔT.  
(7.2 W/°C, MOUNTED TO AN UNINSULATED 14" x 12" x 8" CABINET).
2. EXTENDS 3-7/8" INTO CABINET.
3. ALUMINUM HOUSING (COLOR IS BLACK) OR STAINLESS STEEL.
4. EQUIPPED WITH MOUNTING GASKET TO MAINTAIN AIR TIGHT SEAL.
- \* 5. "P" UNIT IS PRESSURE TESTED TO ASSURE WATER TIGHT SEAL.
6. AVAILABLE WITH 115VAC, 230VAC, AND 12VDC, 24VDC, 48VDC FANS.
7. VERTICAL (BEST POSITION) AND HORIZONTAL MOUNTING OK.
8. FOR DESIGN, QUOTE, AND SIZING ASSISTANCE : CALL (866) 936 - 6736.



Front View



Back View



Side View



Noren Products, Inc.  
1010 O'Brien Drive  
Menlo Park, CA 94025  
(650) 322 - 9500

CC100 & CC100P\*

883316