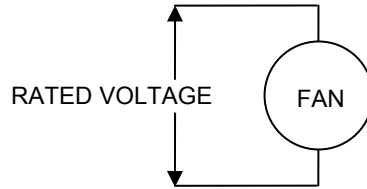


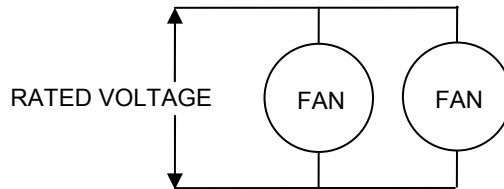


### WIRING SCHEMATICS

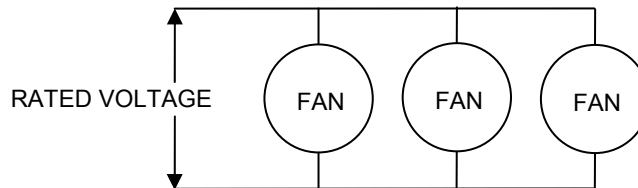
STANDARD CABINET COOLER FANS ARE WIRED IN PARALLEL<sup>1</sup>  
STANDARD VOLTAGES: 115VAC, 230VAC, 12VDC<sup>2</sup>, 24VDC<sup>2</sup>, 48VDC<sup>2</sup>



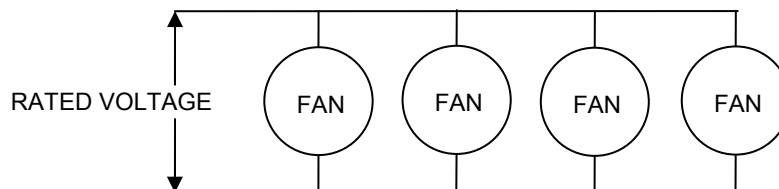
**SINGLE FAN MODELS:** CC2060, CC2061P, CC2062P, CC3060, CC3061P, CC3062P, CC3260



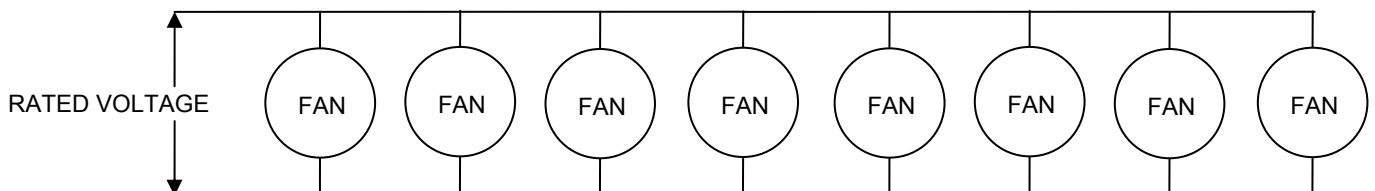
**DUAL FAN MODELS:** CC100, CC200, CC254F, CC450F, CC500, CC600F, CC601F, CC800, CC900F, CC901F, CC1200, CC1300F, CC1301F



**TRIPLE FAN MODELS:** CC1400, CC6360, CC6361P, CC6362P



**FOUR FAN MODELS:** CC2000, CC2500F, CC2501F

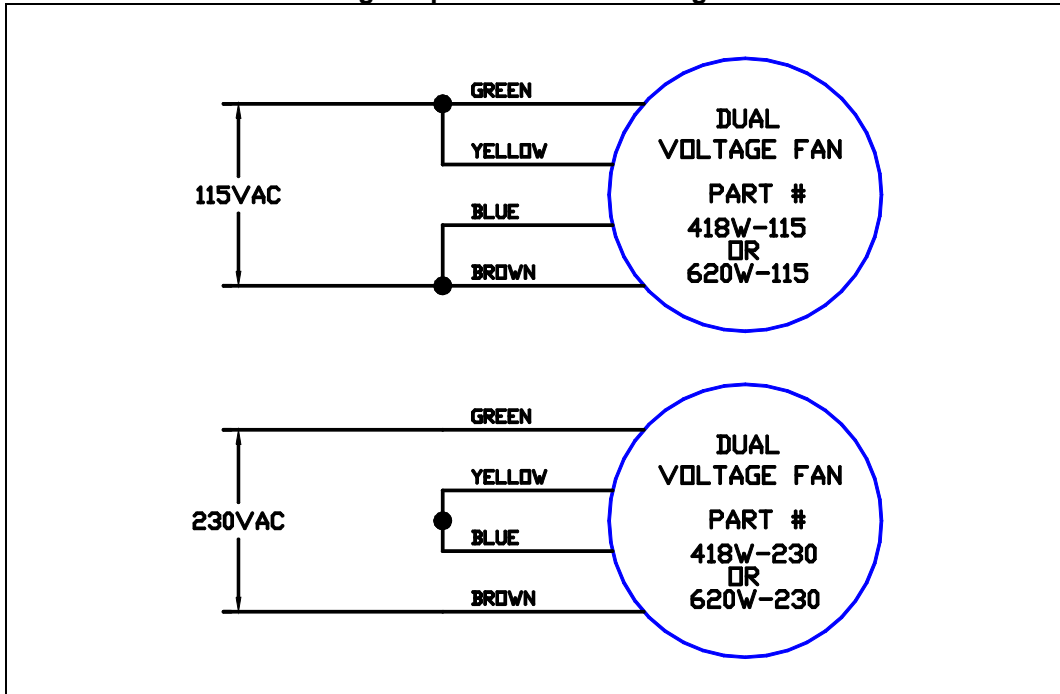


**EIGHT FAN MODELS:** CC4000F, CC9000

<sup>1</sup> For the CC851XP and 1251XP the Explosion Proof blower is wired separately from the internal tube axial fan.

<sup>2</sup> UL Listed models with DC fans come with a field wiring box installed.

**Dual Voltage Replacement Fan Wiring Schematic**



**Hazardous Location Fan Wiring Schematic**

