



# HyTec Cooler™

## Models 111D, 112D

# Installation Procedures

### **To the installer:**

The sketches in these instructions cover installation of a Noren HyTec Cooler in a standard “dry” type hydraulic elevator reservoir.

Tank layout as well as suction and return line locations may differ considerably from the drawings shown.

These variations **DO NOT** necessarily preclude the installation of the HyTec Cooler.

If you have questions about your installation, or are unsure about any of the following instructions, please call (650) 322-9500.

We value “feedback” from the field, and welcome your comments about this product, and its installation.



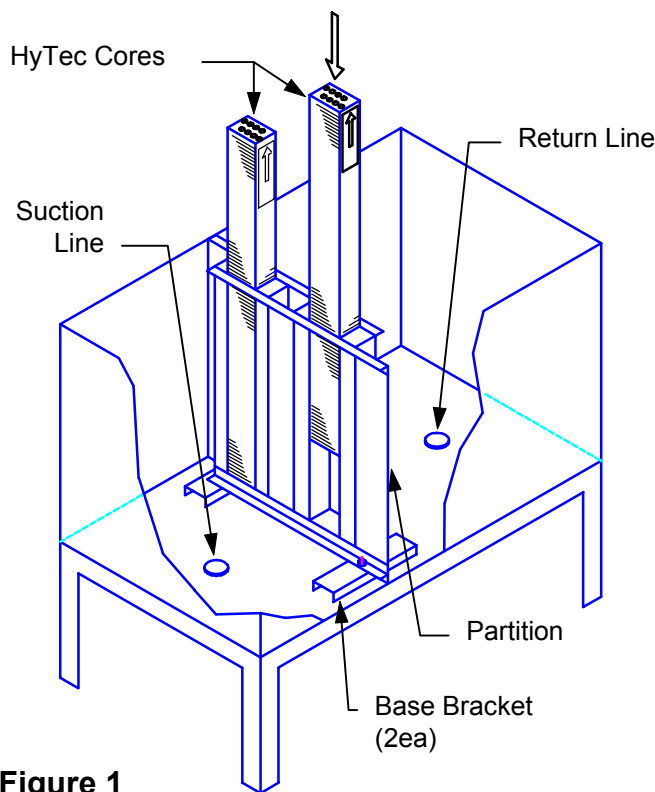
1010 O'BRIEN DR., MENLO PARK, CA 94025  
(650) 322-9500 • FAX (650) 324-1348  
[www.norenproducts.com](http://www.norenproducts.com)

# HyTec Cooler™

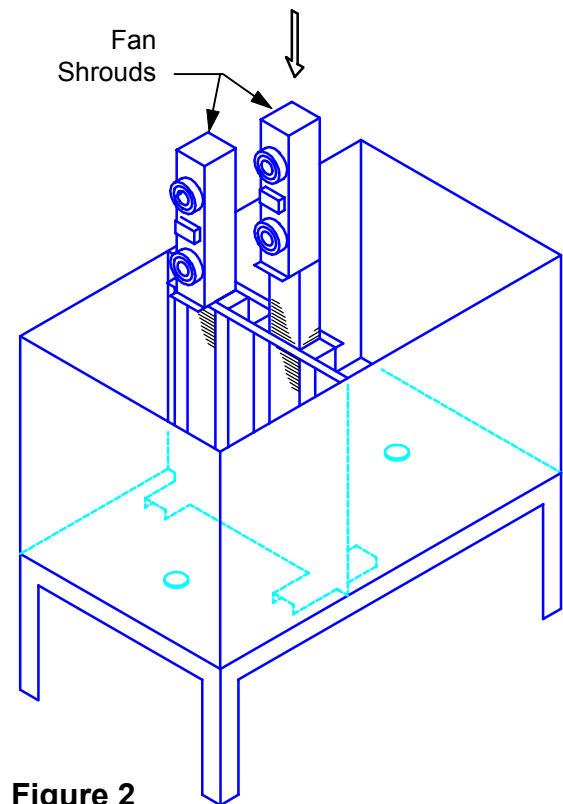
## Models 111D, 112D

### Installation Procedures

- Step 1. Disconnect Hydraulic Unit from electrical supply.
- Step 2. Remove existing reservoir cover.
- Step 3. Install HyTec partition as shown (fig. 1). Note: Position may vary according to reservoir size and obstructions
- Step 4. Install HyTec Core(s) "Top" end up, in partition as shown (fig. 1).
- Step 5. Slide HyTec Fan/Shroud Assembly(s) onto core(s) (fig. 2).
- Step 6. Modify cover to enclose HyTec Cooler Cores as required.
- Step 7. Reconnect electrical service.
- Step 8. Plug fan cords into 110 VAC electrical outlet.



**Figure 1**



**Figure 2**