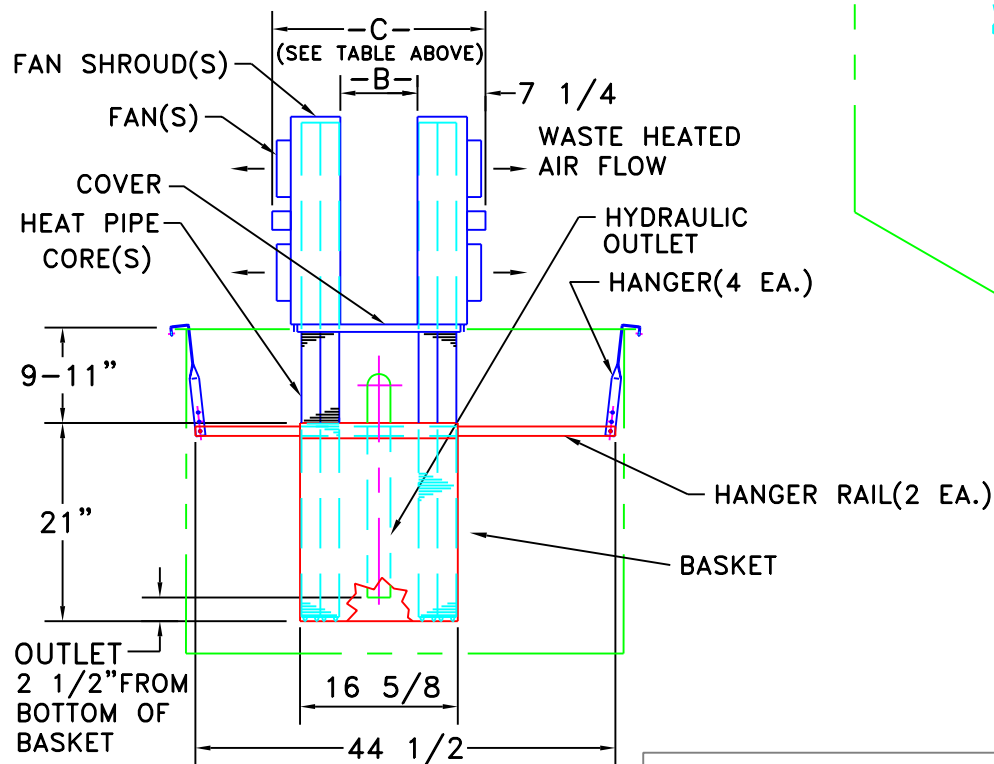
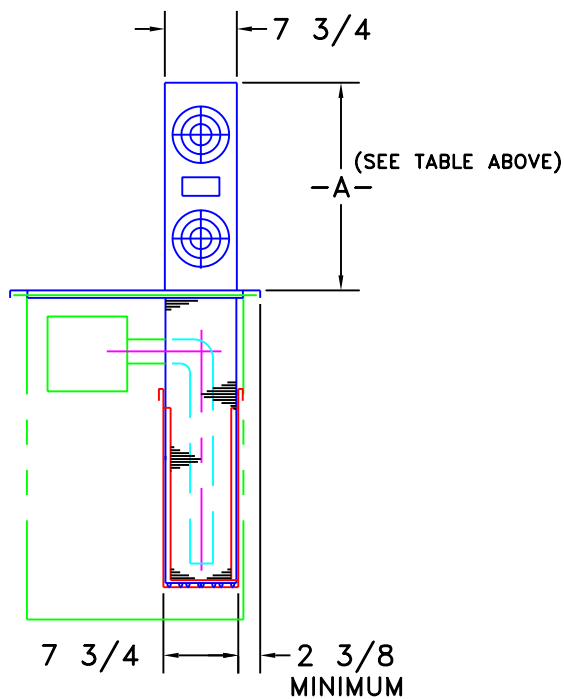
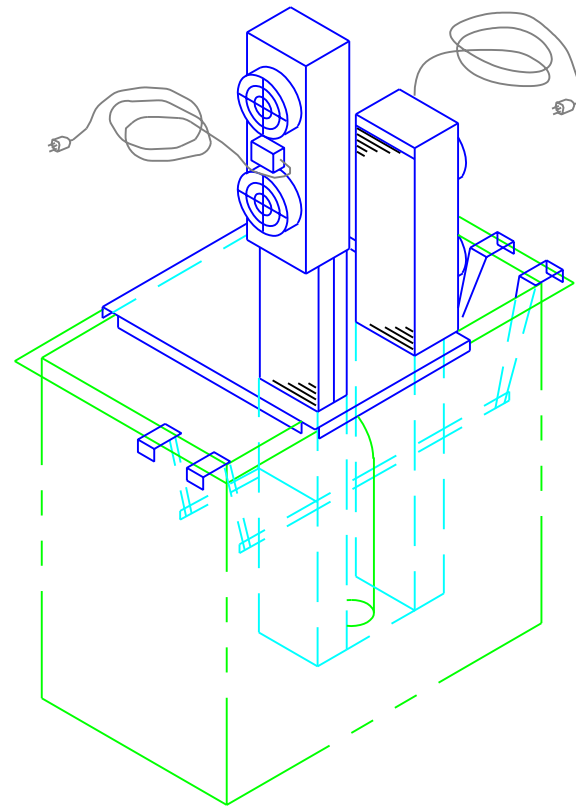
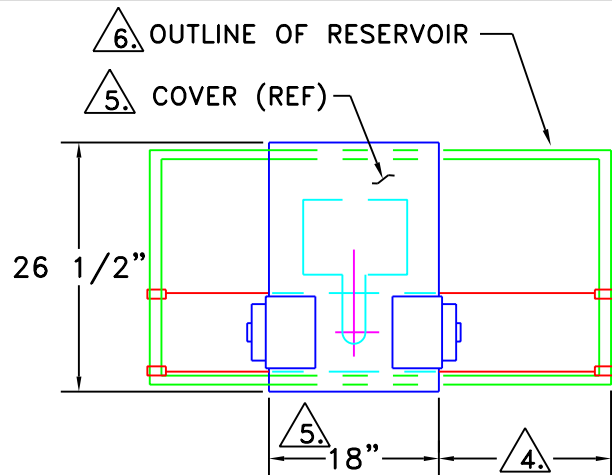


MOD	PART QUAN.		DIMENSIONS		
	SHROUD	FAN	A	B	C
101E	ONE	ONE	11"	-	-
111E	TWO	TWO	11"	12 1/4	26 3/4
102E	ONE	TWO	22"	-	-
112E	TWO	FOUR	22"	12 1/4	26 3/4
202E	ONE	TWO	22"	-	-
222E	TWO	FOUR	22"	8 1/4	23"

↑ QUANTITY OF FANS PER SHROUD.
 ↓ QUANTITY OF HEAT PIPE CORES IN OTHER SHROUD.
 ← QUANTITY OF HEAT PIPE CORES IN ONE SHROUD.



- △ 6. RESERVOIR DIMENSIONS FOR REFERENCE ONLY.
 △ 5. CUSTOM COVERS AVAILABLE TO FIT YOUR APPLICATION.
 △ 4. POSITION OF HYTEC COOLER IS ADJUSTABLE ALONG HANGER RAILS.
 3. EACH SHROUD COMES WITH 8 FT. POWER CORD FOR 115VAC SERVICE.
 2. FAN SHROUD(S) ARE BLACK ANODIZED ALUMINUM.
 1. RATED COOLING VARIES WITH CONDITIONS. PLEASE CONTACT NOREN HyTEC FOR DETAILS (650) 322-9500.
- NOTES:

HyTEC COOLER™ E Models

BY:EM 11/8/96

CK:JB 12/23/96

AP:DN 11/20/96

NOREN PRODUCTS, INC.
 1010 O'BRIEN DR.
 MENLO PARK, CA. 94025

(650) 322-9500

883405-B