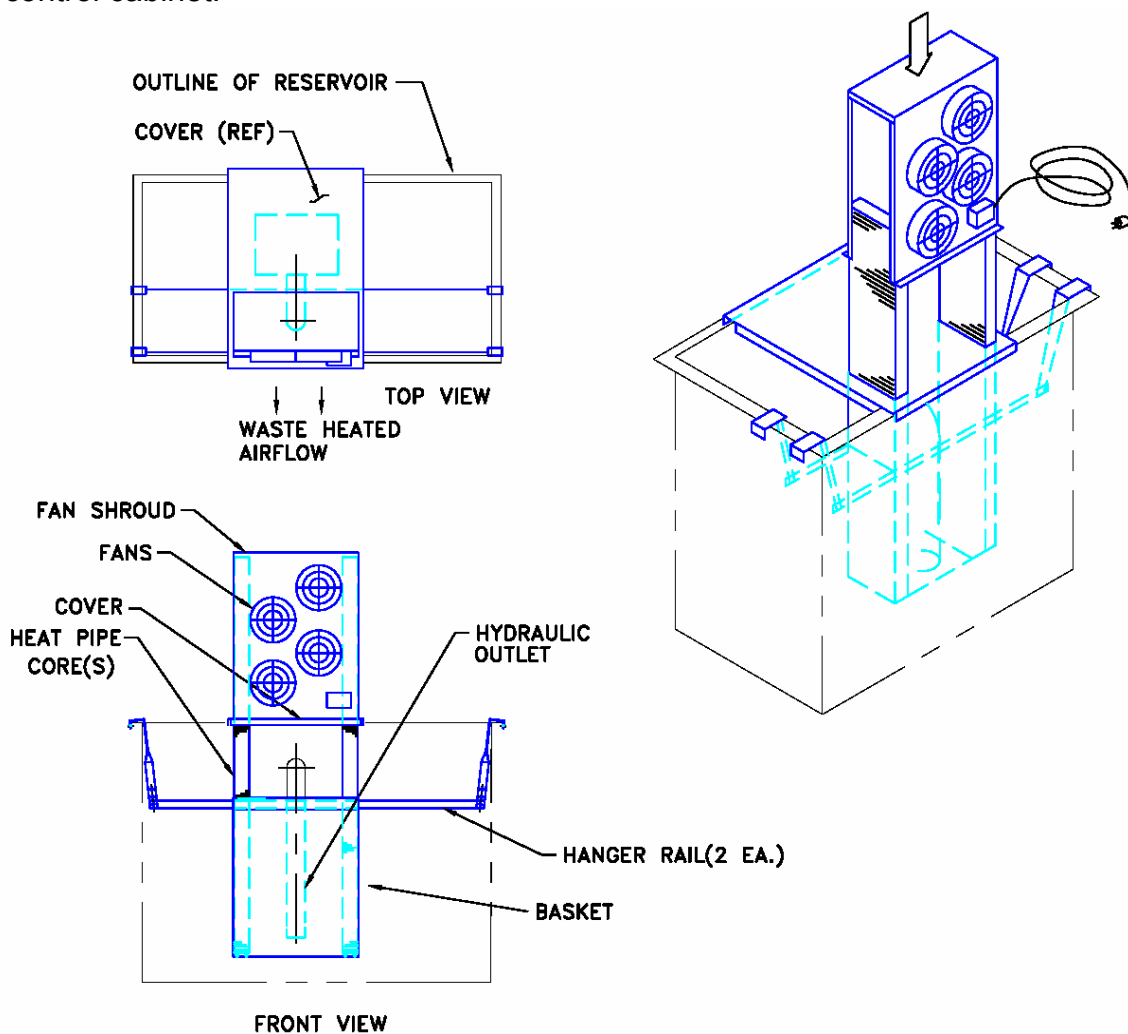




HyTec Cooler™ EF-Models

Hydraulic Elevator Oil Cooling for Submersible Systems

EF-Models provide added flexibility to the standard “E” Series hydraulic oil cooler system. The standard “E” series coolers utilize independent fan shrouds to draw ambient cooling air across the HyTec heat pipe cores and expel waste heat in opposing directions. The new “EF” option orients the fans to direct all of the waste heat in a single direction - 90° to the standard E-models. (The “EF” shroud can also be oriented 180° to that shown below.) The result is a solution which avoids expelling waste heat in an undesired direction, such as against a close wall or control cabinet.



MEMBER