



HyTec Cooler™ D-Models

Hydraulic Elevator Oil Cooling for Dry Systems

D-Models provide oil cooling for elevator systems with dry type hydraulic reservoirs. These models utilize a partition to divert all hot return oil through the HyTec cores before it is drawn back to the pump. This partition – a kind of ‘fence’ – is constructed of rectangular tubing and angle material. The center section of the partition – the section that holds the HyTec cores - is the same size in all cases. The ‘wings’ are sized to fit each application and are designed to closely fit the walls of the reservoir to maximize hot oil flow through the HyTec cores. The heat is absorbed by HyTec Heat Pipe Cores and quickly transported out of the reservoir to be carried away by the cooling fans above. This system provides a very economical, efficient and low-maintenance solution for hydraulic overheating issues.

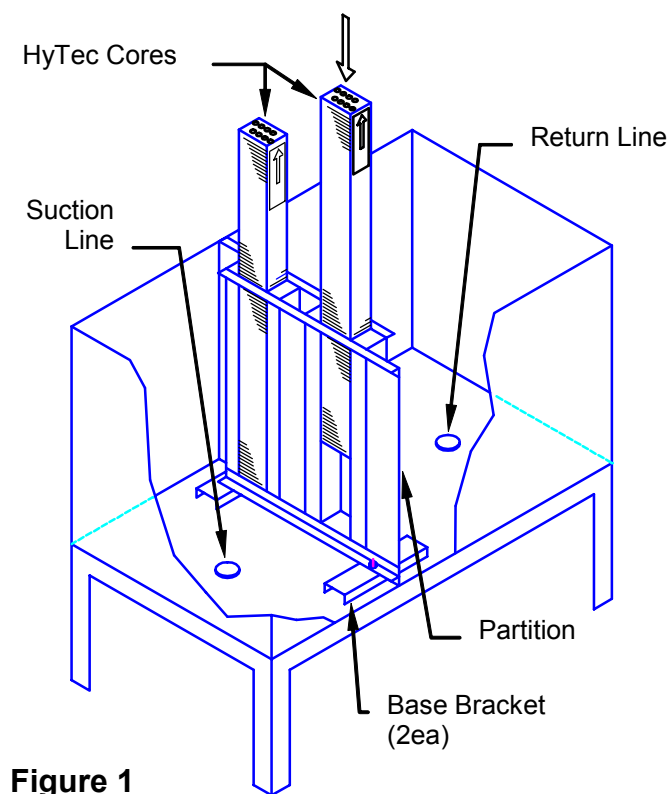


Figure 1

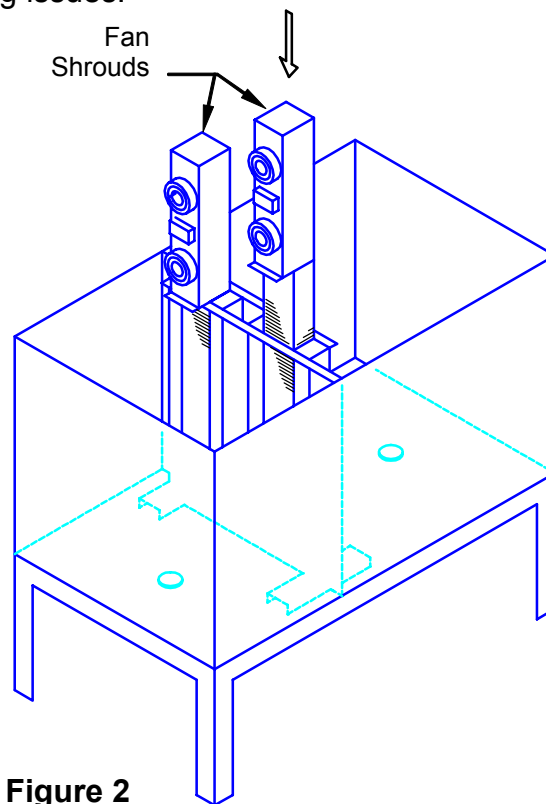


Figure 2

