

FILTER INSTALLATION INSTRUCTIONS

#A883111-B

Noren Compact Cabinet Cooler Models - High Power Internal Series

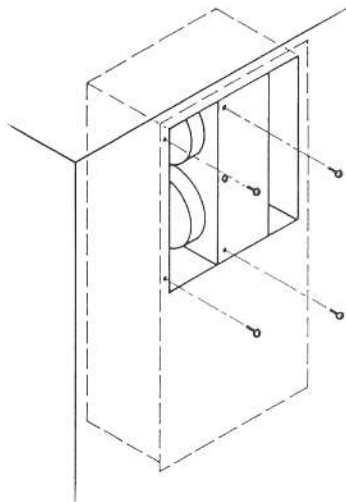


Fig. 1

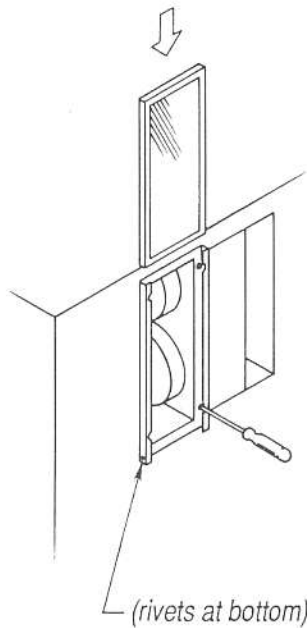


Fig. 2

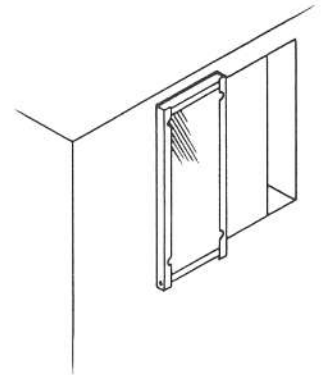


Fig. 3

Steps for Filter Installation for CC900I, 1300I, 2500I, 4000I, and IP (Internal Mount Models):

- A. Loosen and remove 4, 5, 6, 8, or 10 screws at inlet as shown in Fig. 1
- B. Fasten filter housing to enclosure over air inlet opening using flat head screws provided with filter housing. Note that the rivets should be at the bottom of the filter housing. (See Fig. 2)
- C. Slide filter(s) into filter housing as shown in Fig. 2
- D. Fig. 3 shows filter(s) in correct position.