

# FILTER INSTALLATION INSTRUCTIONS

#A883097

Noren Compact Cabinet Cooler Models – Thin Internal Series

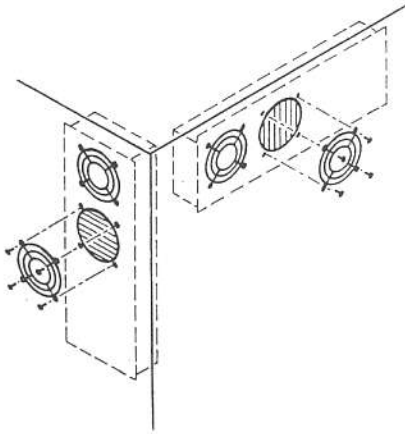


Fig.1

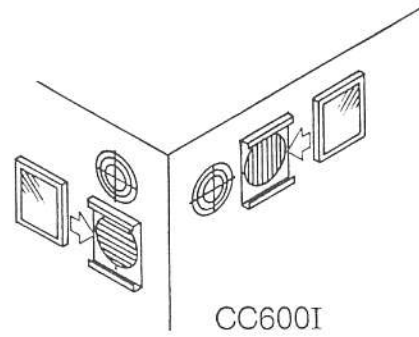
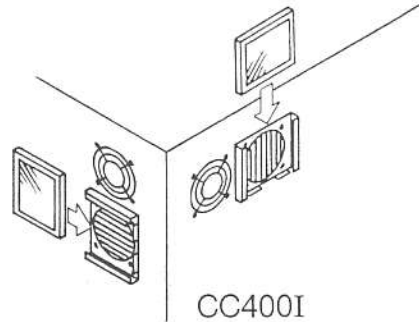


Fig.2

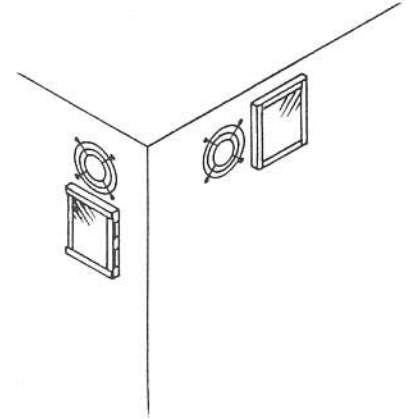


Fig.3

Steps for Filter Installation for CC400I and CC600I (Internal Mount Models):

- A. Loosen and remove screws and finger guard at air inlet as shown in Fig.1  
(CC400I: 4 screws, CC600I: 2 screws)
- B. Fasten filter housing to enclosure over air inlet opening using flat head screws provided with filter housing. (see Fig.2)
- C. Slide filter into filter housing as shown in Fig.2
- D. Fig.3 shows filter in correct position.