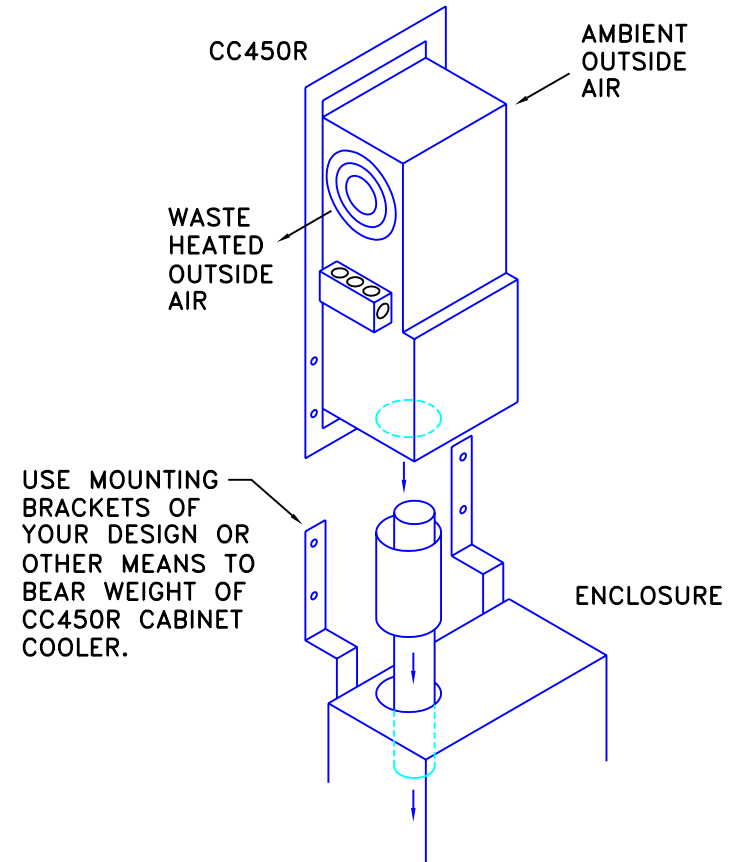


NOTES:

1. Rated Cooling: 400 Watts@20°C ΔT (20W/°C).
2. Designed for remote mounting off surface of small electronic enclosures.
3. Housing made of black anodized aluminum.
4. 2.38 and 3.5" DIA air ducts are plastic (PVC) and are field cuttable to length. 18" of each included.
5. Seal 3.5" diameter air duct into enclosure with caulking compound.



CC450 REMOTE CABINET COOLER

BY:EM 6/15/98

NOREN PRODUCTS, INC.
 1010 O'BRIEN DR.
 MENLO PARK, CA. 94025
 (650) 322-9500

CK:NF 8/4/98

CK:

All dimensions are inches.

AP:DN 7/31/98

A883175-A

CC450R DIMENSIONS