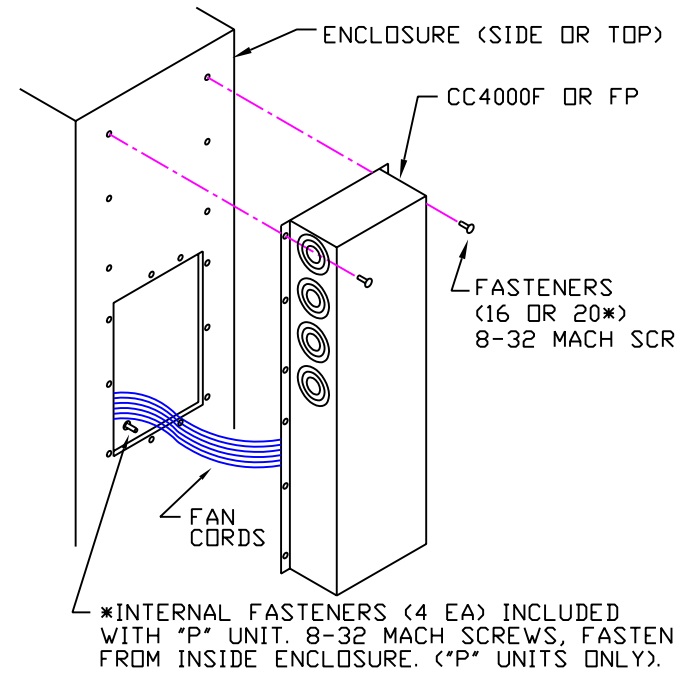


ENCLOSURE HOLE PATTERN

NOTES:

1. RATED COOLING: 4000 WATTS AT 20DEG C ΔT (200W/DEG C, MOUNTED TO AN UNINSULATED 72x36x24" ENCLOSURE).
2. DESIGNED FOR SURFACE MOUNTING ON OUTSIDE OF ENCLOSURE.
3. HOUSING MADE OF ANODIZED ALUMINUM.
4. EQUIPPED WITH MOUNTING GASKET FOR AIR TIGHT SEAL.
5. INLET AIR FILTER OPTIONAL.
- *6. ASTERISK INDICATES EXTRA MOUNTING HOLES FOR "P" UNIT WHICH IS PRESSURE TESTED TO INSURE LIQUID TIGHT SEAL.



CC4000F & CC4000FP*	
BY:EM 4/17/98	NOREN PRODUCTS, INC. 1010 O'BRIEN DR. MENLO PARK, CA. 94025 (650)322-9500
CK:	
AP:DN 4/21/98	ALL DIMENSIONS ARE IN INCHES.
A883171-A	